

## FEATURES

- Filterless digital input Class-D amplifier
- Standalone operation or I<sup>2</sup>C control
- Serial digital audio interface supports common formats: I<sup>2</sup>S, left justified, right justified, TDM1-16, and PCM
- 2.31 W into 4 Ω and 1.35 W into 8 Ω at 5 V supply with 1% THD + N
- Available in 12-ball 1.4 mm × 1.7 mm × 0.4 mm pitch WLCSP
- Efficiency 90% at full scale into 8 Ω
- 9 mW loaded idle power at 1.8 V/3.6 V
- SNR = 98 dB, A-weighted
- PSRR = 80 dB at 217 Hz, dither input
- Supports wide range of sample rates: 8.0 kHz to 48.0 kHz
- Autosample rate and MCLK rate detection
- No BCLK required for operation
- 2.5 V to 5.5 V PVDD speaker operating supply voltage
- 1.5 V to 3.6 V VDD operating voltage
- Pop and click suppression
- Short-circuit and thermal protection with autorecovery
- Smart power-down when no input signal detected
- Power-on reset
- Low EMI emissions

## GENERAL DESCRIPTION

The **SSM2519** is a digital input, Class-D power amplifier that combines a digital-to-analog converter (DAC) and a sigma-delta (Σ-Δ) Class-D modulator. This unique architecture enables extremely low, real-world power consumption from digital audio sources with excellent audio performance. The **SSM2519** is ideal for power sensitive applications, such as mobile phones and portable media players, where system noise can corrupt small analog signals such as those sent to an analog input audio amplifier.

Using the **SSM2519**, audio data can be transmitted to the amplifier over a standard digital audio serial interface, thereby significantly reducing the effect of noise sources such as GSM interference or other digital signals on the transmitted audio. The closed-loop digital input design retains the benefits of a completely digital amplifier, yet enables very good PSRR and audio performance. The three-level, Σ-Δ Class-D modulator is designed to provide the least amount of EMI interference, the lowest quiescent power dissipation, and the highest audio efficiency without sacrificing audio quality.

### Rev. 0

Information furnished by Analog Devices is believed to be accurate and reliable. However, no responsibility is assumed by Analog Devices for its use, nor for any infringements of patents or other rights of third parties that may result from its use. Specifications subject to change without notice. No license is granted by implication or otherwise under any patent or patent rights of Analog Devices. Trademarks and registered trademarks are the property of their respective owners.

## APPLICATIONS

- Mobile phones
- Portable media players
- Laptop PCs
- Wireless speakers
- Portable gaming
- Navigation systems

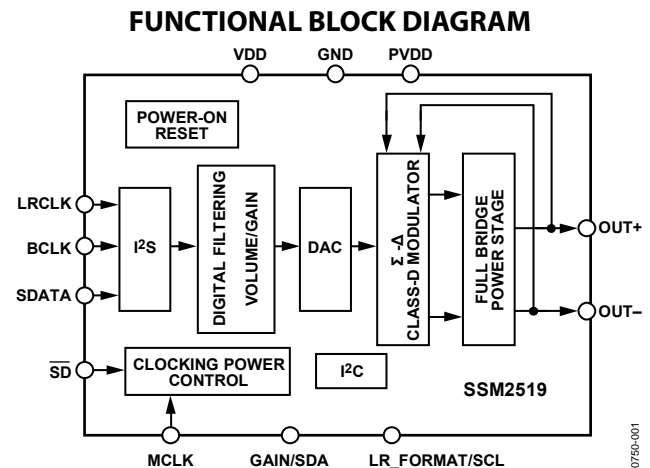


Figure 1.

Input is provided via a serial audio interface, programmable to accept all common audio formats including I<sup>2</sup>S, left justified (LJ), right justified (RJ), TDM, and PCM. The **SSM2519** is designed to operate with or without a control interface such as I<sup>2</sup>C, which is typically required for this type of device. Several control pins offer selection of operation when I<sup>2</sup>C control is not used. The **SSM2519** can accept a variety of input MCLK frequencies and can use BCLK as the clock source in some configurations. Both the input sample rate and MCLK rates are automatically detected.

The architecture of the **SSM2519** provides a solution that offers lower power and higher performance than existing DAC plus Class-D solutions. Its digital interface also offers a better system solution for other products whose sole audio source is digital, such as wireless speakers, laptop PCs, portable digital televisions, and navigation systems.

The **SSM2519** is specified over the industrial temperature range of -40°C to +85°C. It has built-in thermal shutdown and output short-circuit protection. It is available in a 12-ball, 1.4 mm × 1.7 mm wafer level chip scale package (WLCSP).

## TABLE OF CONTENTS

Features .....	1	Volume Control .....	14
Applications .....	1	Analog Gain .....	14
Functional Block Diagram .....	1	Fault Detection and Recovery .....	14
General Description .....	1	Digital Audio Formats .....	15
Revision History .....	2	Stereo Mode .....	15
Specifications .....	3	TDM, 50% Duty Cycle Mode .....	15
Performance Specifications .....	3	TDM, Pulse Mode .....	15
Power Supply Requirements .....	4	PCM, Multichannel Mode .....	16
Digital Input/Output .....	4	PCM, Mono Mode .....	16
Digital Timing .....	4	I <sup>2</sup> C Configuration Interface .....	17
Absolute Maximum Ratings .....	6	Overview .....	17
Thermal Resistance .....	6	Register Summary .....	19
ESD Caution .....	6	Register Details .....	20
Pin Configuration and Function Descriptions .....	7	Software Reset and Master Software Power-Down Control Register .....	20
Typical Performance Characteristics .....	8	Edge Speed, Power, and Clocking Control Register .....	21
Theory of Operation .....	12	Serial Audio Interface and Sample Rate Control Register .....	22
Overview .....	12	Serial Audio Interface Control Register .....	23
Standalone and I <sup>2</sup> C Operational Mode .....	12	Channel Mapping Control Register .....	24
Master and Bit Clock .....	12	Volume Control Register .....	25
Digital Input Serial Audio Interface .....	13	Gain and Mute Control Register .....	26
Channel Mapping .....	13	Fault Control Register .....	27
Power Supplies .....	13	Outline Dimensions .....	28
Power Control .....	14	Ordering Guide .....	28
Power-On Reset/Voltage Supervisor .....	14		
Low Power Modes .....	14		

## REVISION HISTORY

7/12—Revision 0: Initial Version

## SPECIFICATIONS

All conditions at  $PV_{DD} = 5.0\text{ V}$ ;  $V_{DD} = 1.8\text{ V}$ ;  $f_s = 48\text{ kHz}$ ;  $MCLK = 128 \times f_s$ ;  $T_A = 25^\circ\text{C}$ ;  $R_L = 8\ \Omega + 15\ \mu\text{H}$ ; default I<sup>2</sup>C settings; volume control 0 dB setting, unless otherwise noted.

### PERFORMANCE SPECIFICATIONS

Table 1.

Parameter	Symbol	Test Conditions/Comments	Min	Typ	Max	Unit
DEVICE CHARACTERISTICS						
Output Power	$P_{OUT}$	$R_L = 4\ \Omega$ , THD + N = 1%, $f = 1\text{ kHz}$ , $BW = 20\text{ kHz}$ , $PV_{DD} = 5.0\text{ V}$		2.31		W
		$R_L = 4\ \Omega$ , THD + N = 10%, $f = 1\text{ kHz}$ , $BW = 20\text{ kHz}$ , $PV_{DD} = 5.0\text{ V}$		2.75		W
		$R_L = 8\ \Omega$ , THD + N = 1%, $f = 1\text{ kHz}$ , $BW = 20\text{ kHz}$ , $PV_{DD} = 5.0\text{ V}$		1.35		W
		$R_L = 8\ \Omega$ , THD + N = 10%, $f = 1\text{ kHz}$ , $BW = 20\text{ kHz}$ , $PV_{DD} = 5.0\text{ V}$		1.68		W
		$R_L = 4\ \Omega$ , THD + N = 1%, $f = 1\text{ kHz}$ , $BW = 20\text{ kHz}$ , $PV_{DD} = 3.6\text{ V}$		1.13		W
		$R_L = 4\ \Omega$ , THD + N = 10%, $f = 1\text{ kHz}$ , $BW = 20\text{ kHz}$ , $PV_{DD} = 3.6\text{ V}$		1.4		W
		$R_L = 8\ \Omega$ , THD + N = 1%, $f = 1\text{ kHz}$ , $BW = 20\text{ kHz}$ , $PV_{DD} = 3.6\text{ V}$		0.69		W
		$R_L = 8\ \Omega$ , THD + N = 10%, $f = 1\text{ kHz}$ , $BW = 20\text{ kHz}$ , $PV_{DD} = 3.6\text{ V}$		0.85		W
		$R_L = 4\ \Omega$ , THD + N = 1%, $f = 1\text{ kHz}$ , $BW = 20\text{ kHz}$ , $PV_{DD} = 2.5\text{ V}$		0.48		W
		$R_L = 4\ \Omega$ , THD + N = 10%, $f = 1\text{ kHz}$ , $BW = 20\text{ kHz}$ , $PV_{DD} = 2.5\text{ V}$		0.6		W
		$R_L = 8\ \Omega$ , THD + N = 1%, $f = 1\text{ kHz}$ , $BW = 20\text{ kHz}$ , $PV_{DD} = 2.5\text{ V}$		0.31		W
		$R_L = 8\ \Omega$ , THD + N = 10%, $f = 1\text{ kHz}$ , $BW = 20\text{ kHz}$ , $PV_{DD} = 2.5\text{ V}$		0.39		W
		Efficiency	$\eta$	$P_{OUT} = 2\text{ W}$ , $4\ \Omega$ , $PV_{DD} = 5.0\text{ V}$		84
$P_{OUT} = 1.4\text{ W}$ , $8\ \Omega$ , $PV_{DD} = 5.0\text{ V}$ , normal operation				90.2		%
Total Harmonic Distortion Plus Noise	THD + N	$P_{OUT} = 1\text{ W}$ into $8\ \Omega$ , $f = 1\text{ kHz}$ , $PV_{DD} = 5.0\text{ V}$		0.03		%
		$P_{OUT} = 0.5\text{ W}$ into $8\ \Omega$ , $f = 1\text{ kHz}$ , $PV_{DD} = 3.6\text{ V}$		0.03		%
Average Switching Frequency	$f_{SW}$			305		kHz
Differential Output Offset	$V_{OOS}$			1		mV
Power Supply Rejection Ratio	$PSRR_{DC}$	$PV_{DD} = 2.5\text{ V}$ to $5.0\text{ V}$	70	82		dB
	$PSRR_{GSM}$	$V_{RIPPLE} = 100\text{ mV rms}$ at $217\text{ Hz}$ , dither input		80		dB
Supply Current, $PV_{DD}$	$I_{PVDD}$	Dither input, $8\ \Omega + 15\ \mu\text{H}$ load, $PV_{DD} = 5.0\text{ V}$		2.64		mA
		Dither input, $8\ \Omega + 15\ \mu\text{H}$ load, $PV_{DD} = 3.6\text{ V}$		2.24		mA
		Dither input, $8\ \Omega + 15\ \mu\text{H}$ load, $PV_{DD} = 2.5\text{ V}$		2.02		mA
		Dither input, $8\ \Omega + 15\ \mu\text{H}$ load, $PV_{DD} = 3.6\text{ V}$ ( $DAC\_LPM = 0$ and $AMP\_LPM = 0$ )		2.5		mA
		Hardware shutdown		200		nA
Supply Current, $V_{DD}$	$I_{VDD}$	Dither input, $V_{DD} = 3.3\text{ V}$		1.14		mA
		Dither input, $V_{DD} = 1.8\text{ V}$		0.6		mA
		Software shutdown, clock present, $V_{DD} = 1.8\text{ V}$		86		$\mu\text{A}$
		Software shutdown, clock removed, $V_{DD} = 1.8\text{ V}$		5		$\mu\text{A}$
		Hardware shutdown		200		nA
Output Noise Voltage	$e_n$	$PV_{DD} = 5.0\text{ V}$ , $f = 20\text{ Hz}$ to $20\text{ kHz}$ , dither input, A-weighted		37		$\mu\text{V}$
		$PV_{DD} = 3.6\text{ V}$ , $f = 20\text{ Hz}$ to $20\text{ kHz}$ , dither input, A-weighted, gain = $3.6\text{ V}$		41		$\mu\text{V}$
Signal-to-Noise Ratio Closed-Loop Gain	SNR	A-weighted reference to 0 dBFS, $PV_{DD} = 5.0\text{ V}$		98		dB
	Gain	0 dBFS input, BTL output, $f = 1\text{ kHz}$				
		Gain = $5.0\text{ V}$		4.94		V pk
		Gain = $4.2\text{ V}$		4.21		V pk
		Gain = $3.6\text{ V}$		3.69		V pk
		Gain = $2\text{ V}$		1.98		V pk

**POWER SUPPLY REQUIREMENTS**

Table 2.

Parameter	Min	Typ	Max	Unit
PV <sub>DD</sub>	2.5	3.6	5.5	V
V <sub>DD</sub>	1.5	1.8	3.6	V

**DIGITAL INPUT/OUTPUT**

Table 3.

Parameter	Min	Typ	Max	Unit	Test Conditions/Comments
INPUT VOLTAGE					
High (V <sub>IH</sub> )	0.7 × V <sub>DD</sub>		3.6	V	MCLK, BCLK, LRCLK, SDATA
	1.35		5.5	V	$\overline{SD}$ , SDA, SCL
Low (V <sub>IL</sub> )	-0.3		+0.3 × V <sub>DD</sub>	V	MCLK, BCLK, LRCLK, SDATA
	-0.3		+0.35	V	$\overline{SD}$ , SDA, SCL
INPUT LEAKAGE CURRENT					
High (I <sub>IH</sub> )			1	μA	Excluding MCLK
Low (I <sub>IL</sub> )			1	μA	Excluding MCLK and bidirectional pin
MCLK INPUT LEAKAGE CURRENT					
High (I <sub>IH</sub> )			3	μA	
Low (I <sub>IL</sub> )			3	μA	
INPUT CAPACITANCE			5	pF	

**DIGITAL TIMING**

All timing specifications are given for the default setting (I<sup>2</sup>S mode) of the serial input port.

Table 4.

Parameter	Limit		Unit	Description
	Min	Max		
MASTER CLOCK				
t <sub>MP</sub>	74	136	ns	MCLK period, 256 × f <sub>s</sub> mode (MCS = b0010)
t <sub>MP</sub>	148	271	ns	MCLK period, 128 × f <sub>s</sub> mode (MCS = b0001)
SERIAL PORT				
t <sub>BIL</sub>	40		ns	BCLK low pulse width
t <sub>BIH</sub>	40		ns	BCLK high pulse width
t <sub>LIS</sub>	10		ns	Setup time from LRCLK or SDATA edge to BCLK rising edge
t <sub>LIH</sub>	10		ns	Hold time from BCLK rising edge to LRCLK or SDATA edge
t <sub>SIS</sub>	10		ns	SDATA setup time to BCLK rising
t <sub>SIH</sub>	10		ns	SDATA hold time from BCLK rising
I <sup>2</sup> C PORT				
f <sub>SCL</sub>		400	kHz	SCL frequency
t <sub>SCLH</sub>	0.6		μs	SCL high
t <sub>SCLL</sub>	1.3		μs	SCL low
t <sub>SCS</sub>	0.6		μs	Setup time; relevant for repeated start condition
t <sub>SCH</sub>	0.6		μs	Hold time; after this period, the first clock is generated
t <sub>DS</sub>	100		ns	Data setup time
t <sub>SCR</sub>		300	ns	SCL rise time
t <sub>SCF</sub>		300	ns	SCL fall time
t <sub>SDR</sub>		300	ns	SDA rise time
t <sub>SDF</sub>		300	ns	SDA fall time
t <sub>BFT</sub>	0.6		μs	Bus-free time (time between stop and start)

Digital Timing Diagrams

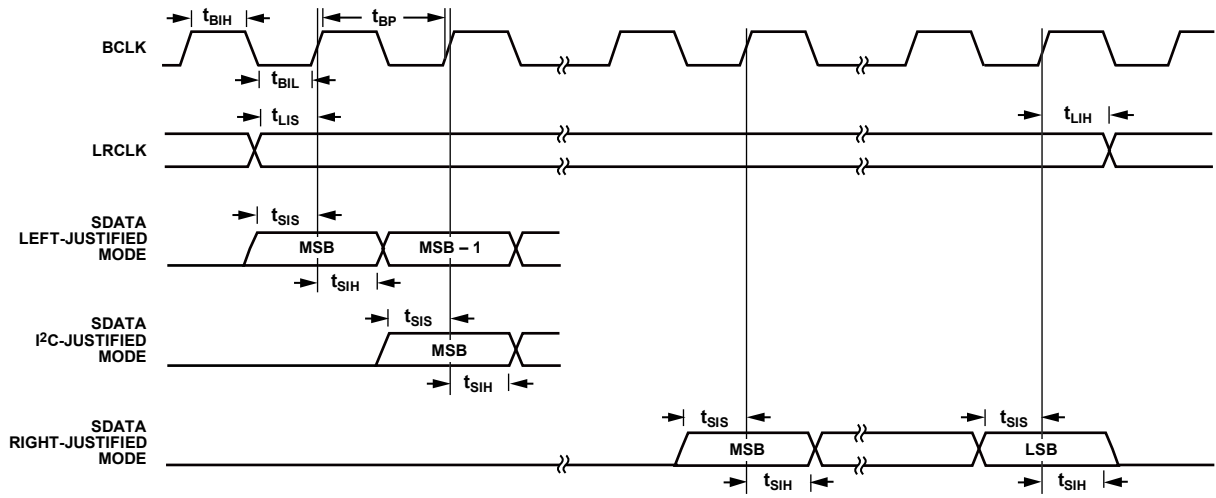


Figure 2. Serial Input Port Timing

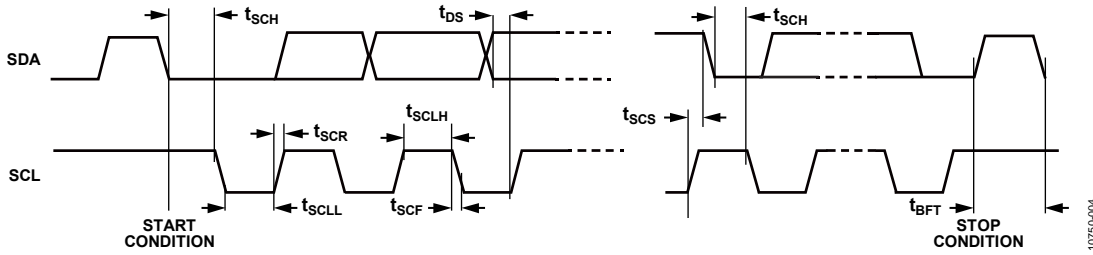


Figure 3. I<sup>2</sup>C Port Timing

## ABSOLUTE MAXIMUM RATINGS

Absolute maximum ratings apply at 25°C, unless otherwise noted.

Table 5.

Parameter	Rating
PVDD Supply Voltage	−0.3 V to 6 V
VDD Supply Voltage	−0.3 V to 3.6 V
Input Voltage (MCLK, BCLK, $\overline{SD}$ , LRCLK, LR_FORMAT, GAIN, SDATA)	−0.3 V to 3.6 V
ESD Susceptibility	4 kV
Storage Temperature Range	−65°C to +150°C
Operating Temperature Range	−40°C to +85°C
Junction Temperature Range	−65°C to +165°C
Lead Temperature (Soldering, 60 sec)	300°C

Stresses above those listed under Absolute Maximum Ratings may cause permanent damage to the device. This is a stress rating only; functional operation of the device at these or any other conditions above those indicated in the operational section of this specification is not implied. Exposure to absolute maximum rating conditions for extended periods may affect device reliability.

## THERMAL RESISTANCE

$\theta_{JA}$  is specified for the worst-case conditions, that is, a device soldered in a circuit board for surface-mount packages.

Table 6. Thermal Resistance

Package Type	$\theta_{JA}$	Unit
12-ball, 1.4 mm × 1.7 mm WLCSP	56.1	°C/W

## ESD CAUTION



### ESD (electrostatic discharge) sensitive device.

Charged devices and circuit boards can discharge without detection. Although this product features patented or proprietary protection circuitry, damage may occur on devices subjected to high energy ESD. Therefore, proper ESD precautions should be taken to avoid performance degradation or loss of functionality.

## PIN CONFIGURATION AND FUNCTION DESCRIPTIONS

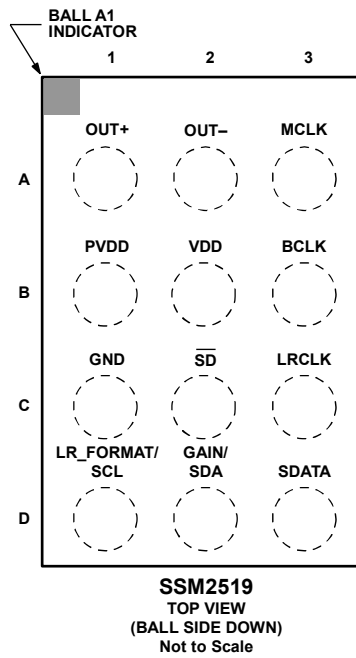


Figure 4. Pin Configuration—Top View

Table 7. Pin Function Descriptions

Ball Number	Pin Name	Function <sup>1</sup>	Description
A1	OUT+	O	Amplifier Output Positive
A2	OUT-	O	Amplifier Output Negative
A3	MCLK	I	Serial Audio Interface Master Clock
B1	PVDD	P	2.5 V to 5.5 V Amplifier Power
B2	VDD	P	1.5 V to 3.6 V Digital and Analog Power
B3	BCLK	I	I <sup>2</sup> S Bit Clock/Generated BCLK Rate Select
C1	GND	P	Ground
C2	$\overline{SD}$	I	Power-Down Control—Active Low
C3	LRCLK	I	I <sup>2</sup> S Left/Right Frame Clock
D1	LR_FORMAT/SCL	I	Left/Right Channel Selection and Serial Format Selection/I <sup>2</sup> C Clock
D2	GAIN/SDA	I/O	Digital and Analog Gain Selection/I <sup>2</sup> C Serial Data
D3	SDATA	I	I <sup>2</sup> S Serial Data

<sup>1</sup> I = input, O = output, P = power.

TYPICAL PERFORMANCE CHARACTERISTICS

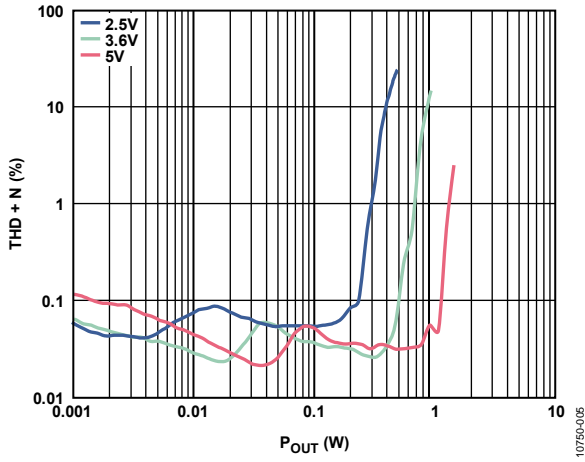


Figure 5. THD + N vs. Output Power into 8 Ω, 5.0 V Gain Setting

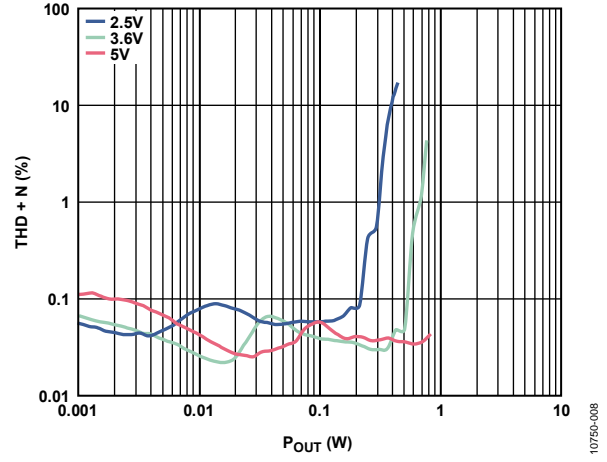


Figure 8. THD + N vs. Output Power into 8 Ω, 3.6 V Gain Setting

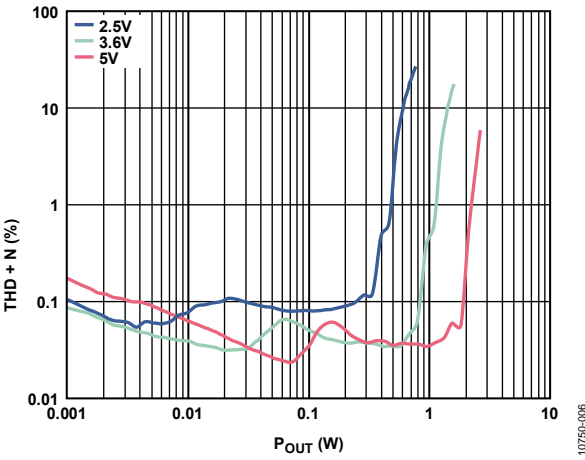


Figure 6. THD + N vs. Output Power into 4 Ω, 5.0 V Gain Setting

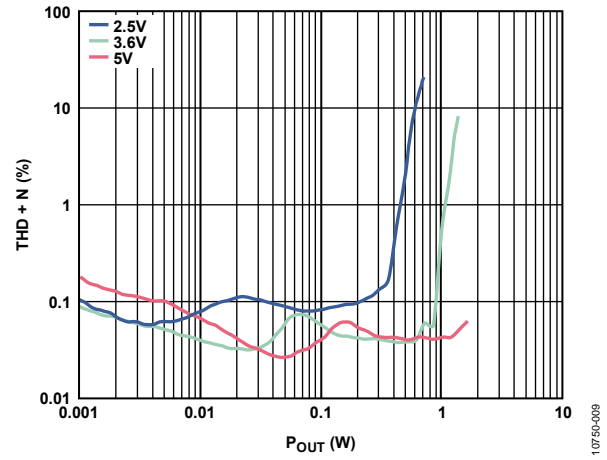


Figure 9. THD + N vs. Output Power into 4 Ω, 3.6 V Gain Setting

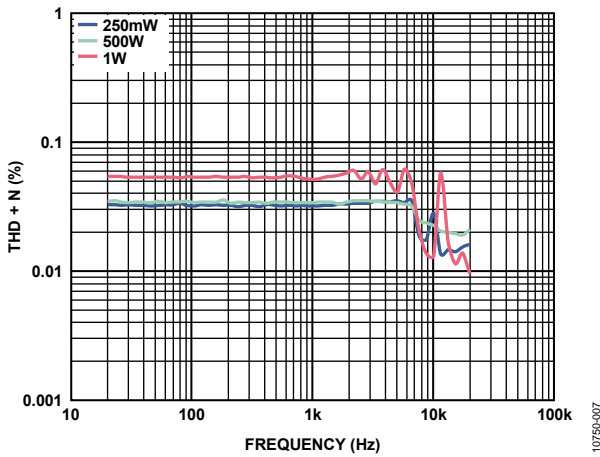


Figure 7. THD + N vs. Frequency into 8 Ω, PV<sub>DD</sub> = 5.0 V

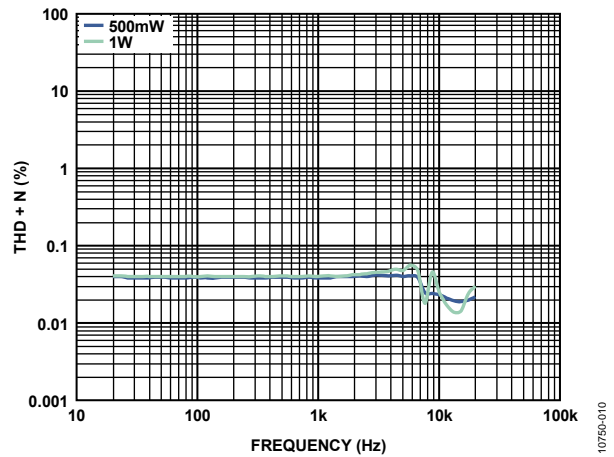


Figure 10. THD + N vs. Frequency into 4 Ω, PV<sub>DD</sub> = 5.0 V



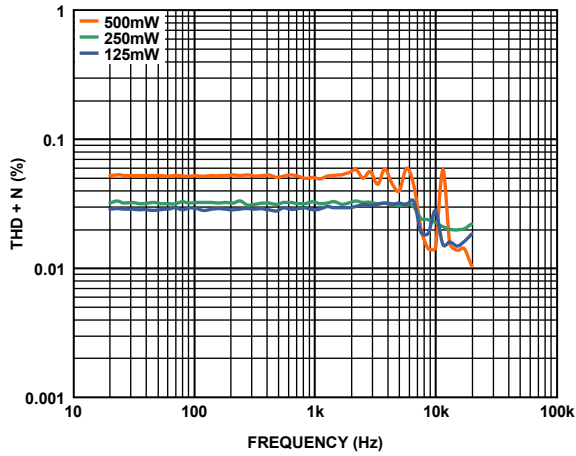


Figure 11. THD + N vs. Frequency into 8 Ω,  $PV_{DD} = 3.6 V$

10750-111

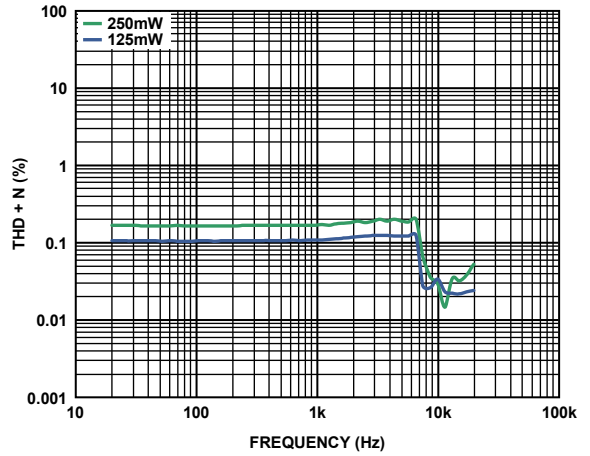


Figure 14. THD + N vs. Frequency into 4 Ω,  $PV_{DD} = 2.5 V$

10750-114

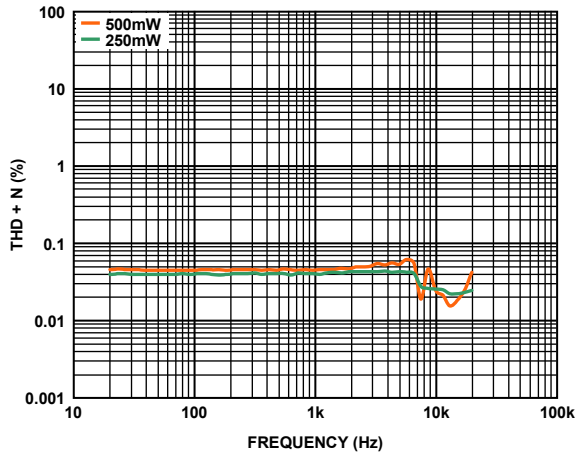


Figure 12. THD + N vs. Frequency into 4 Ω,  $PV_{DD} = 3.6 V$

10750-112

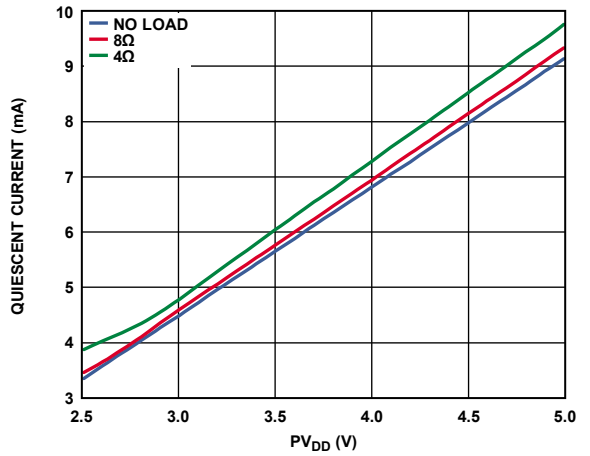


Figure 15. Quiescent Current vs. Supply Voltage  $PV_{DD}$

10750-115

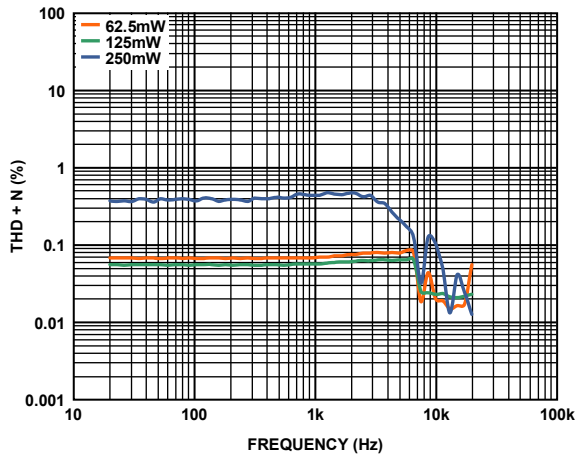


Figure 13. THD + N vs. Frequency into 8 Ω,  $PV_{DD} = 2.5 V$

10750-113

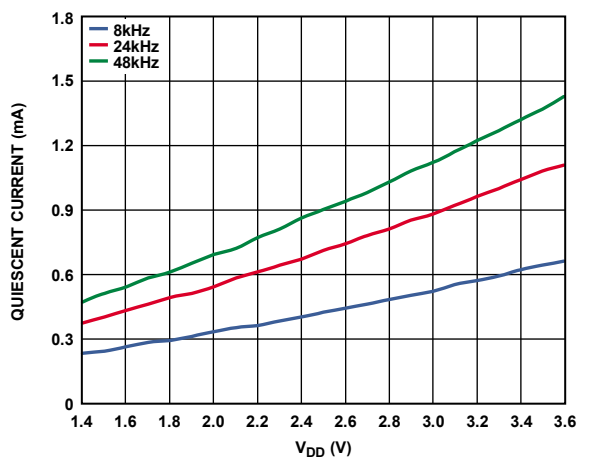


Figure 16. Quiescent Current vs. Supply Voltage  $V_{DD}$

10750-116

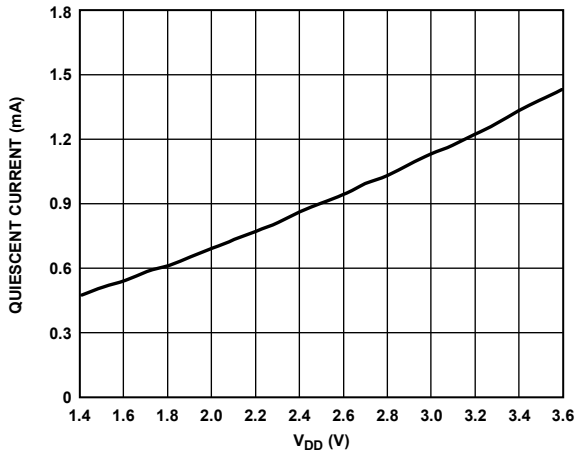


Figure 17. Quiescent Current vs. Supply Voltage  $V_{DD}$

10750-117

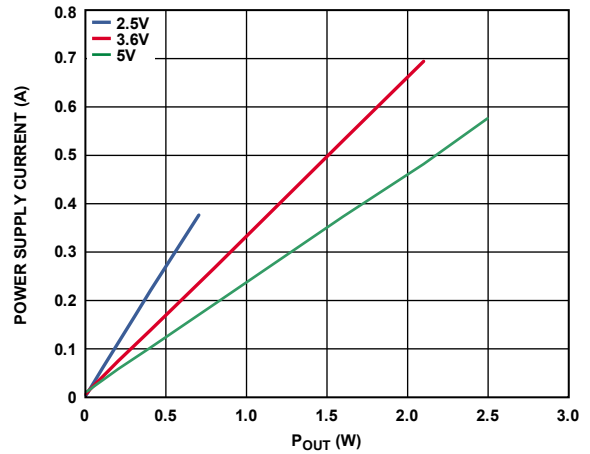


Figure 20. Power Supply Current vs.  $P_{OUT}$ ,  $4 \Omega$

10750-120

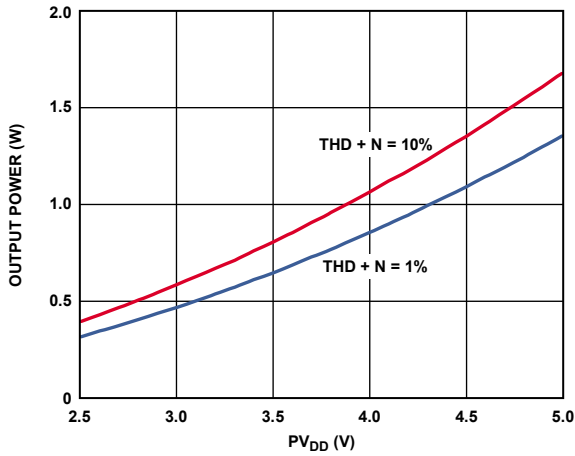


Figure 18. Maximum Output Power vs.  $PV_{DD}$   
( $f_{IN} = 1 \text{ kHz}$ ,  $R_L = 8 \Omega$ )

10750-118

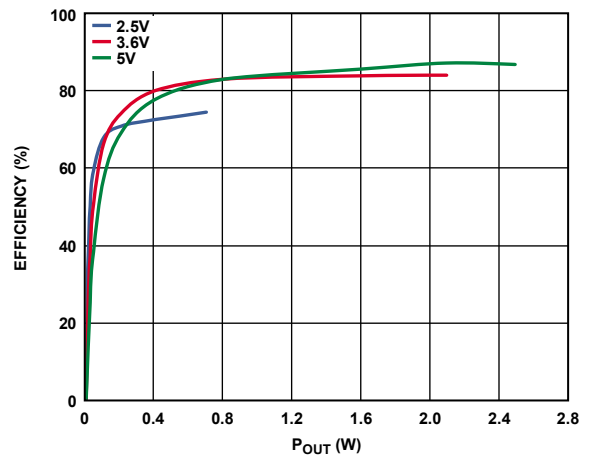


Figure 21. Class-D Efficiency vs.  $P_{OUT}$ ,  $4 \Omega$

10750-121

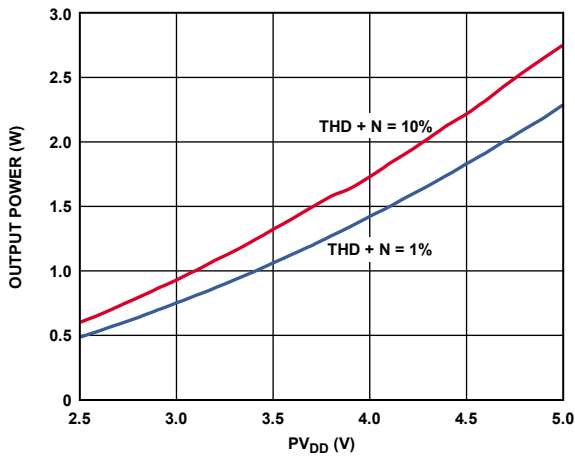


Figure 19. Maximum Output Power vs.  $PV_{DD}$   
( $f_{IN} = 1 \text{ kHz}$ ,  $R_L = 4 \Omega$ )

10750-119

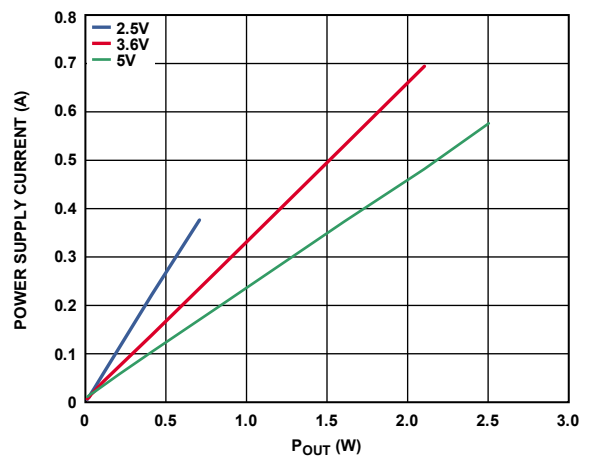


Figure 22. Power Supply Current vs.  $P_{OUT}$ ,  $8 \Omega$

10750-122

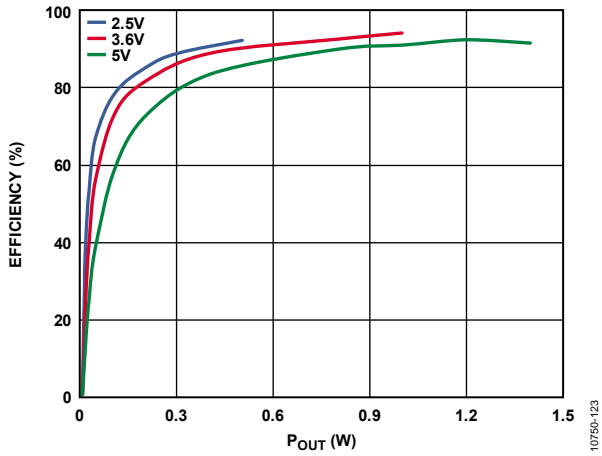


Figure 23. Class-D Efficiency vs. P<sub>OUT</sub>, 8 Ω

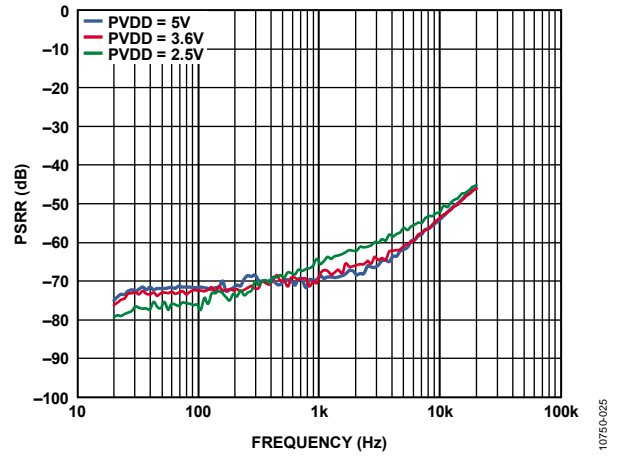


Figure 25. PSRR vs. Frequency

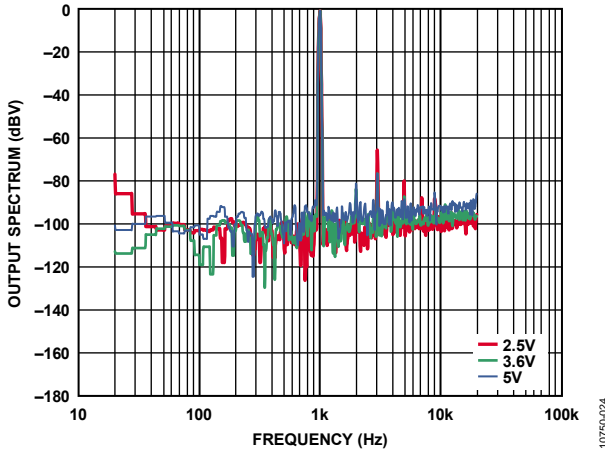


Figure 24. Output Spectrum, 100 mW, 8 Ω

10756-123

10756-025

10756-024

## THEORY OF OPERATION

### OVERVIEW

The **SSM2519** is a fully integrated digital switching audio amplifier. The **SSM2519** receives digital audio inputs and produces the PDM differential switching outputs using an internal power stage. The part has built-in protections against overtemperature as well as overcurrent. The **SSM2519** also has built-in soft turn-on and soft turn-off for pop and click suppression.

### STANDALONE AND I<sup>2</sup>C OPERATIONAL MODE

The **SSM2519** supports both standalone and I<sup>2</sup>C control modes. The setting on the  $\overline{SD}$  pin determines which mode is used.

**Table 8.  $\overline{SD}$  Pin Settings**

$\overline{SD}$ Pin	Operation
Tie to VDD Through 20 k $\Omega$	I <sup>2</sup> C
Connect to VDD Without 20 k $\Omega$	Standalone mode
Connect to GND (Shorted or with 20 k $\Omega$ )	Shutdown mode

### MASTER AND BIT CLOCK

The **SSM2519** requires an external clock present at the MCLK input pin to operate. This clock must be fully synchronous with the incoming digital audio on the serial interface. Internal to the IC, a clock frequency of 2.048 MHz to 24.576 MHz is required. This internal clock is derived from the external MCLK by dividing, passing through, or doubling in frequency the external MCLK signal.

Different rates for MCLK are supported at different sample rates. Refer to Table 9 for all available options. The MCLK rate as well as sample rate can be automatically detected by setting the AMCS and ASR bits in Register 0x01, or they can be manually set (MCS bits in Register 0x00, and FS bits in Register 0x02) if AMCS or ASR is cleared.

When in standalone mode or in I<sup>2</sup>C mode and auto clock rate detection is enabled (Register 0x01, Bit 1, AMCS = 1), the internal clock generation circuitry is automatically configured. When autosample rate detection is disabled (AMCS = 0), the MCS bits in Register 0x00 must be set with the correct value to generate the internal clock.

When the **SSM2519** has entered its power-down state, it is possible to gate this clock to conserve additional system power. However, a master clock must be present for the audio amplifier to operate.

If the serial interface bit clock (BCLK) is in the range of acceptable internal master clock frequencies (between 2.048 MHz and 6.144 MHz), it can serve as both master clock and the bit clock. Setting NO\_BCLK (Bit 5 of Register 0x00) routes the signal on the MCLK pin to serve as the internal bit clock as well. In this case, tie the BCLK pin to ground.

**Table 9. Supported MCLK Rate for Different Sample Frequencies**

Sample Rates	Supported MCLK Rates	Supported MCLK Frequencies
8 kHz to 12 kHz	$256 \times f_s/512 \times f_s/1024 \times f_s/1536 \times f_s/2048 \times f_s$	2.048 MHz to 24.576 MHz
16 kHz to 24 kHz	$128 \times f_s/256 \times f_s/512 \times f_s/768 \times f_s/1024 \times f_s$	2.048 MHz to 24.576 MHz
32 kHz to 48 kHz	$64 \times f_s/128 \times f_s/256 \times f_s/384 \times f_s/512 \times f_s$	2.048 MHz to 24.576 MHz
8 kHz to 12 kHz	$400 \times f_s/800 \times f_s/1600 \times f_s$	3.2 MHz to 19.2 MHz
16 kHz to 24 kHz	$200 \times f_s/400 \times f_s/800 \times f_s$	3.2 MHz to 19.2 MHz
32 kHz to 48 kHz	$100 \times f_s/200 \times f_s/400 \times f_s$	3.2 MHz to 19.2 MHz

Table 10. Master Clock Select (MCS) Bit Settings: MCLK, Ratio, and Frequency

Input Sample Rate	Ratio/MCLK	Setting 0, b0000	Setting 1, b0001	Setting 2, b0010	Setting 3, b0011	Setting 4, b0100	Setting 5, b0101	Setting 6, b0110	Setting 7, b0111	Setting 8, b1000
8 kHz	Ratio MCLK	$256 \times f_s^1$ 2.048 MHz	$512 \times f_s$ 4.096 MHz	$1024 \times f_s$ 8.192 MHz	$1536 \times f_s$ 12.288 MHz	$2048 \times f_s$ 16.384 MHz	$3072 \times f_s$ 24.576 MHz	$400 \times f_s$ 3.20 MHz	$800 \times f_s$ 6.40 MHz	$1600 \times f_s$ 12.80 MHz
11.025 kHz	Ratio MCLK	$256 \times f_s^1$ 2.822 MHz	$512 \times f_s$ 5.6448 MHz	$1024 \times f_s$ 11.2896 MHz	$1536 \times f_s$ 16.9344 MHz	$2048 \times f_s$ 22.5792 MHz	$3072 \times f_s$ 33.8688 MHz	$400 \times f_s$ 4.41 MHz	$800 \times f_s$ 8.82 MHz	$1600 \times f_s$ 17.64 MHz
12 kHz	Ratio MCLK	$256 \times f_s^1$ 3.072 MHz	$512 \times f_s$ 6.144 MHz	$1024 \times f_s$ 12.288 MHz	$1536 \times f_s$ 18.432 MHz	$2048 \times f_s$ 24.576 MHz	$3072 \times f_s$ 38.864 MHz	$400 \times f_s$ 4.80 MHz	$800 \times f_s$ 9.60 MHz	$1600 \times f_s$ 19.20 MHz
16 kHz	Ratio MCLK	$128 \times f_s^1$ 2.048 MHz	$256 \times f_s$ 4.096 MHz	$384 \times f_s$ 8.192 MHz	$768 \times f_s$ 12.288 MHz	$1024 \times f_s$ 16.384 MHz	$1536 \times f_s$ 24.576 MHz	$200 \times f_s$ 3.20 MHz	$400 \times f_s$ 6.40 MHz	$800 \times f_s$ 12.80 MHz
22.05 kHz	Ratio MCLK	$128 \times f_s^1$ 2.822 MHz	$256 \times f_s$ 5.6448 MHz	$512 \times f_s$ 11.2896 MHz	$768 \times f_s$ 16.9344 MHz	$1024 \times f_s$ 22.5792 MHz	$1536 \times f_s$ 33.8688 MHz	$200 \times f_s$ 4.41 MHz	$400 \times f_s$ 8.82 MHz	$800 \times f_s$ 17.64 MHz
24 kHz	Ratio MCLK	$128 \times f_s^1$ 3.072 MHz	$256 \times f_s$ 6.144 MHz	$512 \times f_s$ 12.288 MHz	$768 \times f_s$ 18.432 MHz	$1024 \times f_s$ 24.576 MHz	$1536 \times f_s$ 38.864 MHz	$200 \times f_s$ 4.80 MHz	$400 \times f_s$ 9.60 MHz	$800 \times f_s$ 19.20 MHz
32 kHz	Ratio MCLK	$64 \times f_s^1$ 2.048 MHz	$128 \times f_s$ 4.096 MHz	$256 \times f_s$ 8.192 MHz	$384 \times f_s$ 12.288 MHz	$512 \times f_s$ 16.384 MHz	$768 \times f_s$ 24.576 MHz	$100 \times f_s$ 3.20 MHz	$200 \times f_s$ 6.40 MHz	$400 \times f_s$ 12.80 MHz
44.1 kHz	Ratio MCLK	$64 \times f_s^1$ 2.822 MHz	$128 \times f_s$ 5.6448 MHz	$256 \times f_s$ 11.2896 MHz	$384 \times f_s$ 16.9344 MHz	$512 \times f_s$ 22.5792 MHz	$768 \times f_s$ 33.8688 MHz	$100 \times f_s$ 4.41 MHz	$200 \times f_s$ 8.82 MHz	$400 \times f_s$ 17.64 MHz
48 kHz	Ratio MCLK	$64 \times f_s^1$ 3.072 MHz	$128 \times f_s$ 6.144 MHz	$256 \times f_s$ 12.288 MHz	$384 \times f_s$ 18.432 MHz	$512 \times f_s$ 24.576 MHz	$768 \times f_s$ 38.864 MHz	$100 \times f_s$ 4.80 MHz	$200 \times f_s$ 9.60 MHz	$400 \times f_s$ 19.20 MHz

<sup>1</sup> When using MCS = 0/64  $f_s$  mode, the chip automatically operates in low power mode.

## DIGITAL INPUT SERIAL AUDIO INTERFACE

It is capable of receiving stereo I<sup>2</sup>S, left justified, or right justified data. Mono, stereo, and multichannel PCM/TDM interface formats are available. The data and interface formats are selected by adjusting the SDATA\_FMT and SAI bits in Register 0x02. Note that, when operating in right justified mode, the proper data width must be chosen. The BCLK signal does not have to be provided to the [SSM2519](#). It can internally generate the appropriate BCLK signal. To operate without a BCLK, the BCLK pin should be tied to VDD or GND to select the appropriate BCLK rate for the SDATA input.

Table 11. BCLK Pin Connection Options

BCLK Pin	Generation	BCLK Rate
Connected to External Clock Source	External	Any
Tied to VDD	Internal	16 bit clocks/channel
Tied to GND	Internal	32 bit clocks/channel

When the [SSM2519](#) is set up in standalone mode, a subset of serial interface formats are available. Selection of these serial formats and input channel are determined by the LR\_FORMAT pin.

Table 12. LR\_FORMAT Pin Configuration Controls

LR_FORMAT Pin Configuration	Serial Format/Channel Select
Tie to VDD	I <sup>2</sup> S/left channel
Tie to VDD Through 150 k $\Omega$	Special gain case <sup>1</sup> (I <sup>2</sup> S/left channel)
Tie to VDD Through 47 k $\Omega$	PCM/left channel
Tie to VDD Through 15 k $\Omega$	LJ/left channel
Tie to GND	I <sup>2</sup> S/right channel

<sup>1</sup> See Table 14.

## CHANNEL MAPPING

Stereo audio formats and TDM formats with two, four, eight, or 16 channels are available. In these modes, the amplifier audio can be chosen from any of the available TDM slots using the CH\_SEL bits in Register 0x04. For most digital interface formats, many of these options are not present. For example, in stereo modes, only Channel 0 and Channel 1 are valid, and in four-slot TDM mode, only Channel 0, Channel 1, Channel 2, and Channel 3 are valid.

## POWER SUPPLIES

The [SSM2519](#) has two internal power supplies that must be provided. PVDD supplies power to the full-bridge power stage of MOSFETs and its associated drive, control, and protection circuitry. PVDD can operate from 2.5 V to 5.5 V and must be present to obtain audio output. Lowering the PVDD supply results in lower output power and correspondingly lower power consumption. This does not affect audio performance.

VDD provides power to the digital logic, analog components, and I/O circuitry. VDD can operate from 1.5 V to 3.6 V and must be provided to obtain audio output. Lowering the supply voltage results in lower power consumption, but does not result in lower audio performance.

## POWER CONTROL

The IC starts up in software power-down mode, where all blocks except for the I<sup>2</sup>C interface are disabled. To fully power up the amplifier, clear SPWDN (Bit 0 of Register 0x00). In addition to the software power-down, the software master mute control (M\_MUTE) is enabled at the initial state of the amplifier; therefore, no audio is output until Bit 0 of Register 0x06 is cleared.

The SSM2519 contains a smart power-down feature that, when enabled, analyzes the incoming digital audio and, if the audio is zero for 512 consecutive samples, regardless of sample rate, places the IC in the smart power-down state. In this state, all circuitry except the I<sup>2</sup>S ports are placed in a low power state. After this state is entered, the I<sup>2</sup>S input and master clock (MCLK) can be removed to place the part in its lowest power state. When a single nonzero input is received, the SSM2519 leaves this state and resumes normal operation.

The SSM2519 can also be powered down to its lowest power state by pulling the SD pin low.

## POWER-ON RESET/VOLTAGE SUPERVISOR

The SSM2519 includes an internal power-on reset and voltage supervisor circuit. This circuit provides an internal reset to all circuitry during initial power-up. It also monitors the power supplies to the IC, mutes the output, and issues a reset when the voltages fall below the minimum operating range. This is done to ensure that no damage occurs due to low voltage operation and that no pops can occur under nearly any power removal condition.

A soft reset of the chip can be issued through I<sup>2</sup>C by setting Bit 7 of Register 0x00 (S\_RST).

## LOW POWER MODES

Two low power modes are available. If DAC\_LPM (Bit 5 of Register 0x01) is set, the digital-to-analog converter (DAC) runs at half speed, reducing the quiescent current. This half speed mode is also active when the MCS setting (Bits[4:1] of Register 0x00) is set to its lowest value (MCS = 0000) because the slowest acceptable MCLK rates can only support half speed DAC operation.

If AMP\_LPM (Bit 6 of Register 0x01) is set, the  $\Sigma$ - $\Delta$  modulator runs in a special mode that offers lower quiescent current when the output power is small, at the expense of slightly degraded audio performance.

## VOLUME CONTROL

The SSM2519 has a digital volume control. There are 255 levels available, providing a range from +24 dB to -71.25 dB in 0.375 dB increments. This is a soft volume control, meaning that the gain is adjusted continuously from one value to another. This continuously adjusted gain prevents the audible pop that occurs with an instantaneous gain adjustment.

## ANALOG GAIN

The SSM2519 has selectable digital and analog gain. Selection of these gains occurs via the GAIN pin. The analog gain settings are optimized for operation at 2.5 V, 3.6 V, 4.2 V, or 5 V PVDD.

**Table 13. GAIN Pin Configuration Control**

GAIN Pin Configuration	Analog Gain/Digital Gain
Tie to VDD	5 V optimized analog/0 dB digital gain
Tie to VDD Through 150 k $\Omega$	5 V optimized analog/6 dB digital gain
Tie to VDD Through 47 k $\Omega$	4.2 V optimized analog/0 dB digital gain
Tie to VDD Through 15 k $\Omega$	3.6 V optimized analog/-3 dB digital gain
Tie to GND	3.6 V optimized analog/0 dB digital gain

**Table 14. Special Gain Case (LR\_FORMAT Tied to VDD Through 150 k $\Omega$ ) GAIN Pin Configuration Control**

GAIN Pin Configuration	Analog Gain/Digital Gain
Tie to VDD	2.5 V optimized analog/-6.75 dB digital gain
Tie to GND	3.6 V optimized analog/0 dB digital gain

## FAULT DETECTION AND RECOVERY

Two fault conditions are detected by the SSM2519 fault detection system: overcurrent and overtemperature. When either of these is detected, the amplifier shuts down and a read-only I<sup>2</sup>C bit is set to indicate the cause of the shutdown. The OC and OT fault indicators are Bit 6 and Bit 5, respectively, of Register 0x07. An autorecovery feature can be enabled for temperature faults, current faults, or both, depending on the state of ARCV (Bits[1:0] of Register 0x07).

# DIGITAL AUDIO FORMATS

## STEREO MODE

0x02[4:2], SAI = 0 (stereo: I<sup>2</sup>S, LJ, RJ)

0x02[6:5], SDATA\_FMT = 0 (I<sup>2</sup>S), 1 (LJ), 2 (RJ 24-bit), 3 (RJ 16-bit)

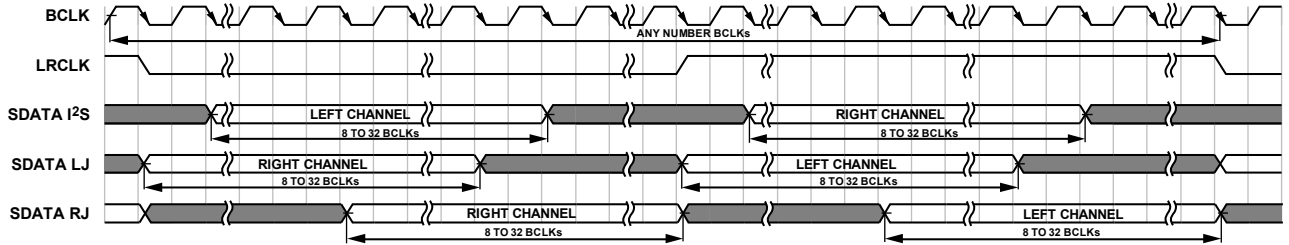


Figure 26. Stereo Modes: I<sup>2</sup>S, Left Justified, and Right Justified

## TDM, 50% DUTY CYCLE MODE

0x02[4:2], SAI = 1 (2 channels), 2 (4 channels), 3 (8 channels), 4 (16 channels)

0x02[6:5], SDATA\_FMT = 0 (I<sup>2</sup>S), 1 (LJ), 2 (RJ 24-bit), 3 (RJ 16-bit)

0x03[1], BCLK\_EDGE = 0 (rising BCLK edge used)

0x03[6], LRCLK\_MODE = 0 (50% duty cycl LRCLK)

0x03[3:2], SLOT\_WIDTH = 0 (32 BCLK cycles), 1 (24 BCLK cycles), 2 (16 BCLK cycles)

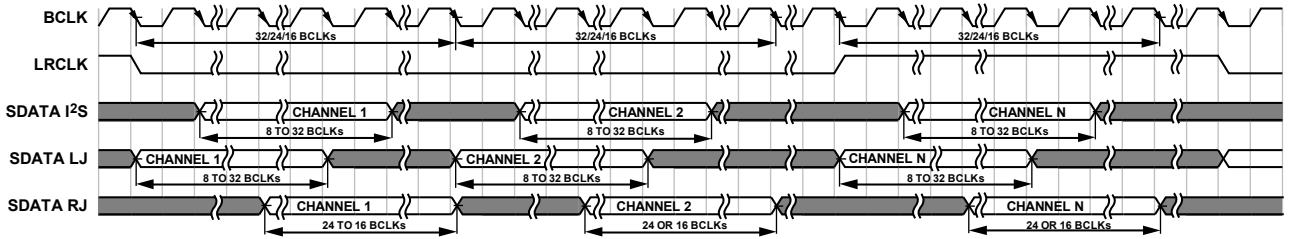


Figure 27. TDM Modes with 50% Duty Cycle LRCLK

## TDM, PULSE MODE

0x02[4:2], SAI = 1 (2 channels), 2 (4 channels), 3 (8 channels), 4 (16 channels)

0x02[6:5], SDATA\_FMT = 0 (I<sup>2</sup>S), 1 (LJ), 2 (RJ 24-bit), 3 (RJ 16-bit)

0x03[1], BCLK\_EDGE = 0 (rising BCLK edge used)

0x03[6], LRCLK\_MODE = 1 (pulse mode LRCLK)

0x03[3:2], SLOT\_WIDTH = 0 (32 BCLK cycles), 1 (24 BCLK cycles), 2 (16 BCLK cycles)

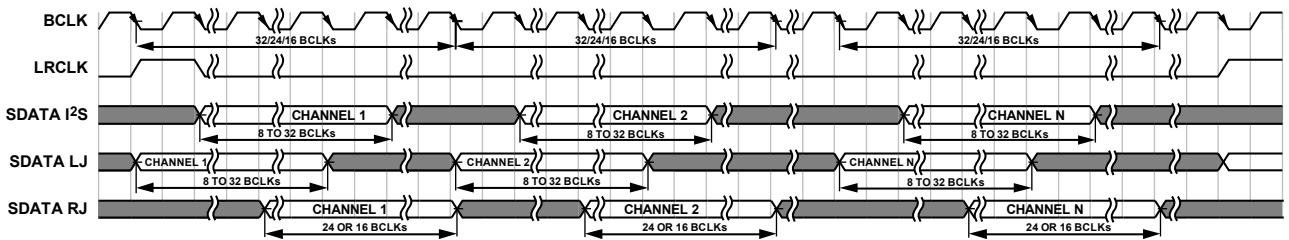


Figure 28. TDM Modes with Pulse Mode LRCLK

**PCM, MULTICHANNEL MODE**

0x02[4:2], SAI = 1 (2 channels), 2 (4 channels), 3 (8 channels), 4 (16 channels)

0x02[6:5], SDATA\_FMT = 0 (I<sup>2</sup>S), 1 (LJ), 2 (RJ 24-bit), 3 (RJ 16-bit)

0x03[1], BCLK\_EDGE = 1 (falling BCLK edge used)

0x03[6], LRCLK\_MODE = 1 (pulse mode LRCLK)

0x03[3:2], SLOT\_WIDTH = 0 (32 cycles), 1 (24 cycles), 2 (16 cycles)

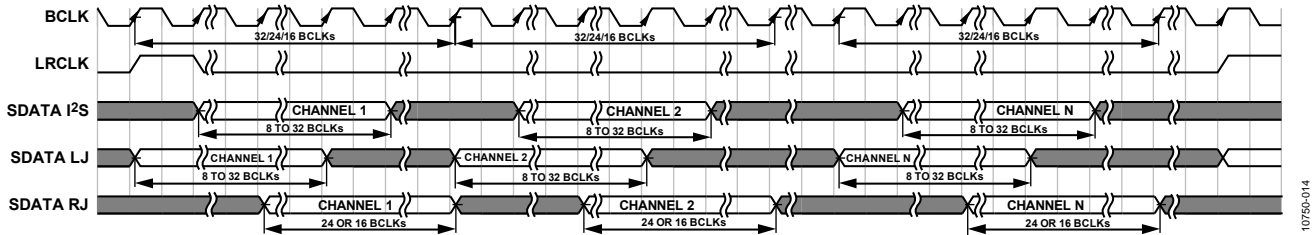


Figure 29. Multichannel PCM Modes

**PCM, MONO MODE**

0x02[4:2], SAI = 5

0x02[6:5], SDATA\_FMT = 0 (I<sup>2</sup>S), 1 (LJ), 2 (RJ 24-bit), 3 (RJ 16-bit)

0x03[1], BCLK\_EDGE = 1 (falling BCLK edge used)

0x03[6], LRCLK\_MODE = 1 (pulse mode LRCLK)

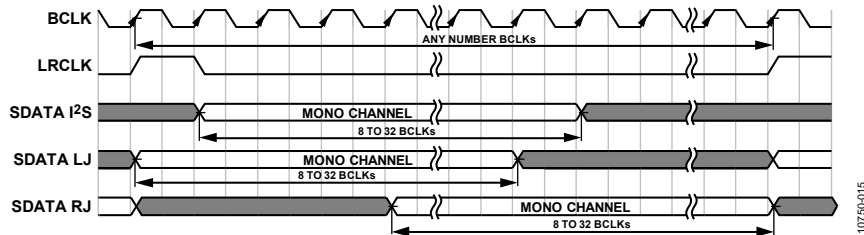


Figure 30. Mono PCM Modes



## I<sup>2</sup>C CONFIGURATION INTERFACE

### OVERVIEW

The **SSM2519** supports a 2-wire serial (I<sup>2</sup>C-compatible) micro-processor bus driving multiple peripherals. Two pins, serial data (SDA) and serial clock (SCL), carry information between the **SSM2519** and the system I<sup>2</sup>C master controller. The **SSM2519** is always a slave on the bus, meaning it cannot initiate a data transfer. Each slave device is recognized by a unique device address. The device address byte format is shown in Figure 31. The address resides in the first seven bits of the I<sup>2</sup>C write. The LSB (Bit 7) of this byte sets either a read or write operation.

Logic Level 1 corresponds to a read operation, and Logic Level 0 corresponds to a write operation. The full byte addresses are shown in Figure 31, where the subaddresses are automatically incremented at word boundaries and can be used for writing large amounts of data to contiguous memory locations. This increment happens automatically after a single word write, unless a stop condition is encountered. A data transfer is always terminated by a stop condition.

Both SDA and SCL should have a 2.2 k $\Omega$  pull-up resistor on the lines connected to them.

The device address is 0x70.

BIT 0	BIT 1	BIT 2	BIT 3	BIT 4	BIT 5	BIT 6	BIT 7
1	1	1	0	0	0	0	R/W

10796-016

Figure 31. I<sup>2</sup>C Device Address Byte Format

### Addressing

Initially, each device on the I<sup>2</sup>C bus is in an idle state, monitoring the SDA and SCL lines for a start condition and the proper address. The I<sup>2</sup>C master initiates a data transfer by establishing a start condition, defined by a high-to-low transition on SDA while SCL remains high. This indicates that an address/data stream follows. All devices on the bus respond to the start condition and shift the next eight bits (the 7-bit address plus the R/W bit) MSB first. The device that recognizes the transmitted address responds by pulling the data line low during the ninth clock pulse. This ninth bit is known as an acknowledge bit. All other devices withdraw from the bus at this point and return to the idle condition. The R/W bit determines the direction of the data. A Logic 0 on the LSB of the first byte means that the master writes information to the peripheral, whereas a Logic 1 means that the master reads information from the peripheral after writing the subaddress and repeating the start address. A data transfer takes place until a stop condition is encountered. A stop condition occurs when SDA transitions from low to high while SCL is held high. The timing for the I<sup>2</sup>C port is shown in Figure 3.

Stop and start conditions can be detected at any stage during the data transfer. If these conditions are asserted out of sequence with normal read and write operations, the **SSM2519** immediately jumps to the idle condition. During a given SCL high period, the user should issue only one start condition, one stop condition, or a single stop condition followed by a single start condition. If an invalid subaddress is issued by the user, the **SSM2519** does not issue an acknowledge and returns to the idle condition. If the user exceeds the highest subaddress while in auto-increment mode, one of two actions is taken. In read mode, the **SSM2519** outputs the highest subaddress register contents until the master device issues a no acknowledge, indicating the end of a read. A no acknowledge condition is where the SDA line is not pulled low on the ninth clock pulse of SCL. If the highest subaddress location is reached while in write mode, the data for the invalid byte is not loaded into any subaddress register, a no acknowledge is issued by the **SSM2519**, and the part returns to the idle condition.

### I<sup>2</sup>C Read and Write Operations

Figure 33 shows the timing of a single-word write operation. Every ninth clock, the **SSM2519** issues an acknowledge by pulling SDA low.

Figure 34 shows the timing of a burst mode write sequence. This figure shows an example where the target destination registers are two bytes. The **SSM2519** knows to increment its subaddress register every byte because the requested subaddress corresponds to a register or memory area with a byte word length.

The timing of a single-word read operation is shown in Figure 35. Note that the first R/W bit is 0, indicating a write operation. This is because the subaddress still needs to be written to set up the internal address. After the **SSM2519** acknowledges the receipt of the subaddress, the master must issue a repeated start command followed by the chip address byte with the R/W bit set to 1 (read). This causes the **SSM2519** SDA to reverse and begin driving data back to the master. The master then responds every ninth pulse with an acknowledge pulse to the **SSM2519**.

Figure 36 shows the timing of a burst mode read sequence. This figure shows an example where the target destination registers are two bytes. The **SSM2519** knows to increment its subaddress register at every byte because the requested subaddress corresponds to a register or memory area with a byte word length.

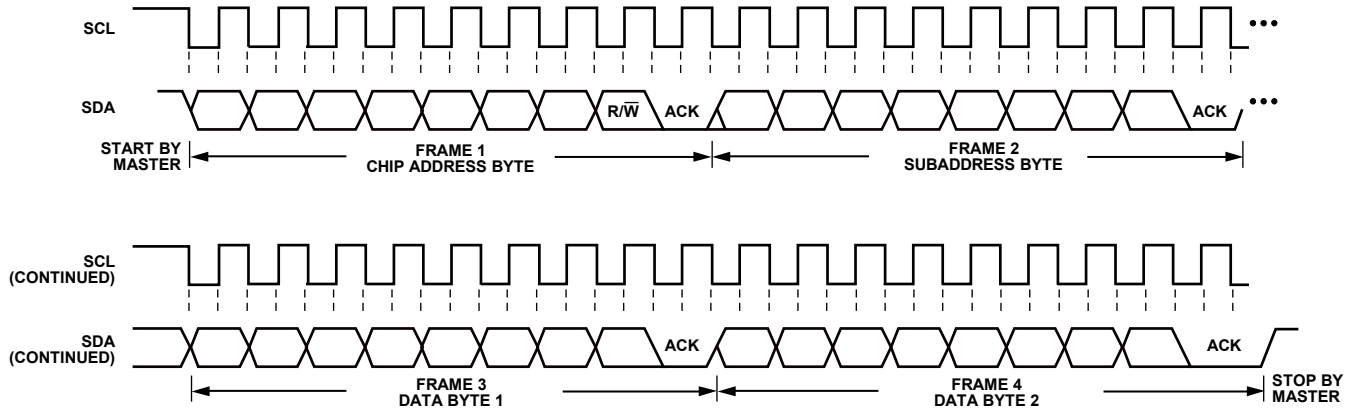


Figure 32. I<sup>2</sup>C Read/Write Timing

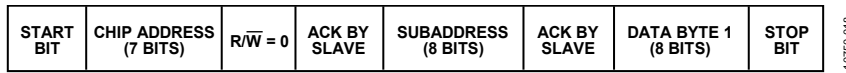


Figure 33. Single-Word I<sup>2</sup>C Write Format

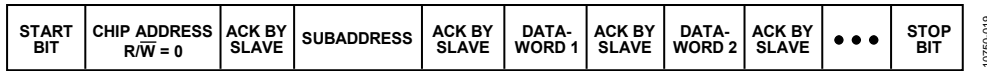


Figure 34. Burst Mode I<sup>2</sup>C Write Format



Figure 35. Single-Word I<sup>2</sup>C Read Format



Figure 36. Burst Mode I<sup>2</sup>C Read Format

## REGISTER SUMMARY

Table 15. Register Summary

Reg	Name	Bits	Bit 7	Bit 6	Bit 5	Bit 4	Bit 3	Bit 2	Bit 1	Bit 0	Reset	RW	
0x00	PWR_CTRL	[7:0]	S_RST	RESERVED	NO_BCLK	MCS			SPWDN	0x05	RW		
0x01	SYS_CTRL	[7:0]	HPF_EN	AMP_LPM	DAC_LPM	APWDN_EN	EDGE		AMCS	ASR	0x30	RW	
0x02	SAI_FMT1	[7:0]	RESERVED	SDATA_FMT		SAI			FS		0x02	RW	
0x03	SAI_FMT2	[7:0]	BCLK_GEN	LRCLK_MODE	LRCLK_POL	SAI_MSB	SLOT_WIDTH		BCLK_EDGE	RESERVED	0x00	RW	
0x04	CH_SEL	[7:0]	RESERVED				CH_SEL					0x00	RW
0x05	VOL_CTRL	[7:0]	VOL									0x40	RW
0x06	GAIN_CTRL	[7:0]	AMUTE	RESERVED	ANA_GAIN		RESERVED			M_MUTE	0x11	RW	
0x07	FAULT_CTRL1	[7:0]	RESERVED	OC	OT	MRCV	MAX_AR		ARCV		0x0C	RW	

## REGISTER DETAILS

## SOFTWARE RESET AND MASTER SOFTWARE POWER-DOWN CONTROL REGISTER

Address: 0x00, Reset: 0x05, Name: PWR\_CTRL

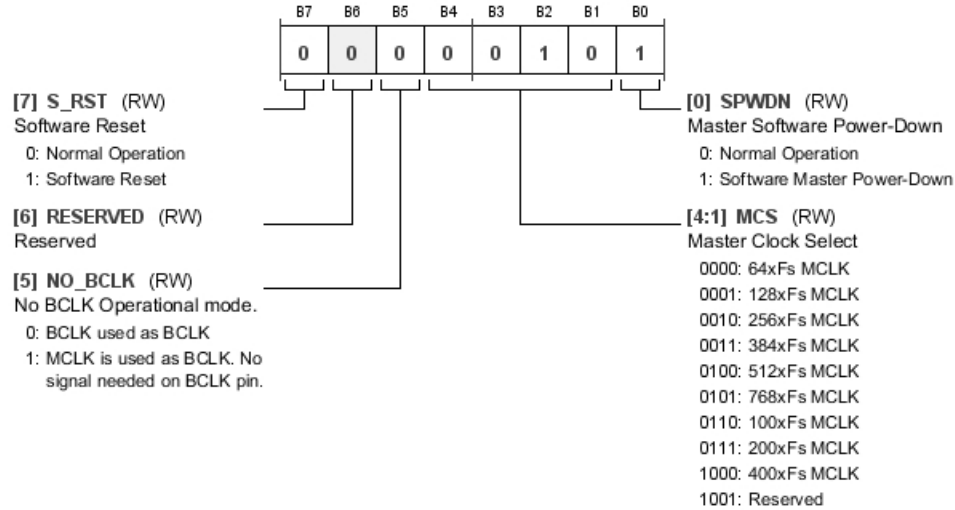


Table 16. Bit Descriptions for PWR\_CTRL

Bits	Bit Name	Settings	Description	Reset	Access
7	S_RST	0 1	Software reset. The software reset bit resets all internal blocks, including I <sup>2</sup> C registers, to their default states. Normal operation Software reset	0x0	RW
6	RESERVED		Reserved.	0x0	RW
5	NO_BCLK	0 1	No BCLK operational mode. MCLK also used as BCLK. BCLK used as BCLK MCLK used as BCLK. No signal needed on BCLK pin.	0x0	RW
[4:1]	MCS	0000 0001 0010 0011 0100 0101 0110 0111 1000 1001	Master clock select. MCS must be set according to the input MCLK ratio relative to the input sample frequency. Refer to Table 10. 64 × $f_s$ MCLK 128 × $f_s$ MCLK 256 × $f_s$ MCLK 384 × $f_s$ MCLK 512 × $f_s$ MCLK 768 × $f_s$ MCLK 100 × $f_s$ MCLK 200 × $f_s$ MCLK 400 × $f_s$ MCLK Reserved	0x2	RW
0	SPWDN	0 1	Master software power-down. Software power-down puts all blocks except the I <sup>2</sup> C interface in a low power state. Normal operation Software master power-down	0x1	RW

**EDGE SPEED, POWER, AND CLOCKING CONTROL REGISTER**

Address: 0x01, Reset: 0x30, Name: SYS\_CTRL

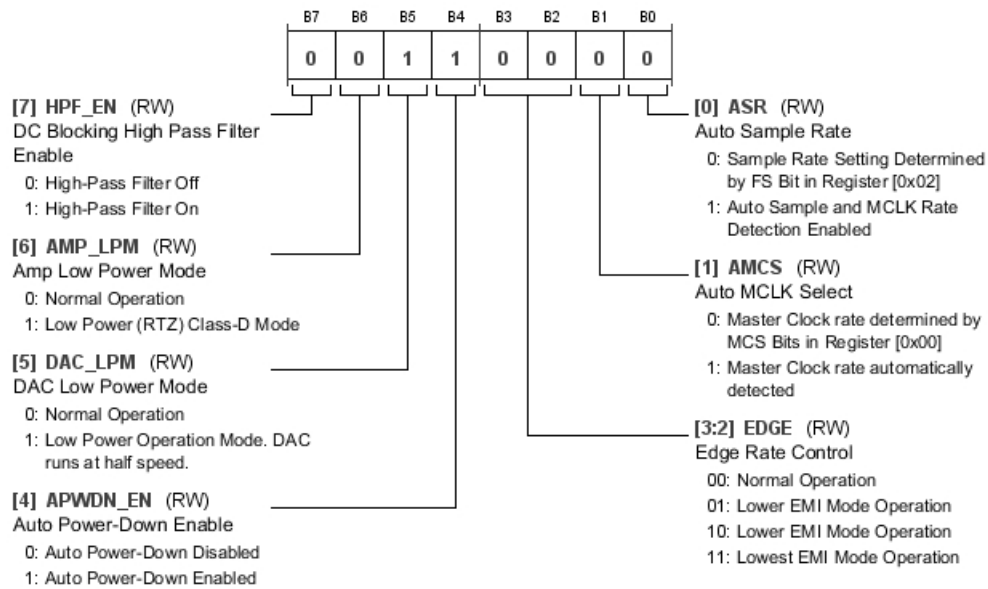


Table 17. Bit Descriptions for SYS\_CTRL

Bits	Bit Name	Settings	Description	Reset	Access
7	HPF_EN	0 1	DC blocking high-pass filter enable. The <i>SSM2519</i> contains a selectable high-pass filter. The -3 dB frequency is at 6 Hz with a 48 kHz sample rate. This frequency increases linearly with lower sample rates. High-pass filter off High-pass filter on	0x0	RW
6	AMP_LPM	0 1	Amplifier low power mode. Normal operation Low power (return to zero) Class-D mode	0x0	RW
5	DAC_LPM	0 1	DAC low power mode. Normal operation Low power operation mode. DAC runs at half speed.	0x1	RW
4	APWDN_EN	0 1	Auto power-down enable. Auto power-down automatically puts the IC in a low power state when 2048 consecutive zero input samples have been received. Auto power-down disabled Auto power-down enabled	0x1	RW
[3:2]	EDGE	00 01 10 11	Edge rate control. This controls the edge speed of the power stage. The low EMI operation mode reduces the edge speed, lowering EMI and power efficiency. Normal operation Lower EMI mode operation Lower EMI mode operation Lowest EMI mode operation	0x0	RW
1	AMCS	0 1	Auto MCLK select. Master clock rate determined by MCS bits in Register 0x00 Master clock rate automatically detected	0x0	RW
0	ASR	0 1	Autosample rate. Sample rate setting determined by FS bit in Register 0x02 Autosample and MCLK rate detection enabled	0x0	RW

## SERIAL AUDIO INTERFACE AND SAMPLE RATE CONTROL REGISTER

Address: 0x02, Reset: 0x02, Name: SAI\_FMT1

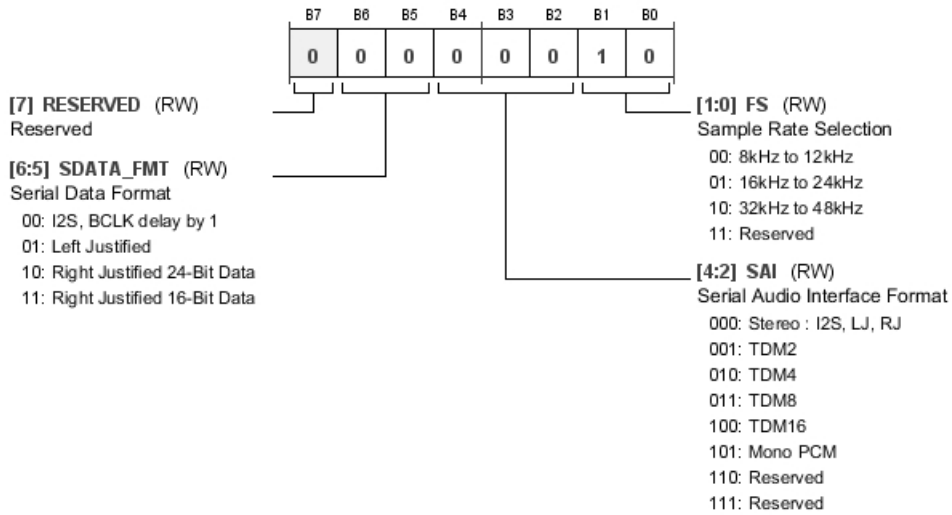


Table 18. Bit Descriptions for SAI\_FMT1

Bits	Bit Name	Settings	Description	Reset	Access
7	RESERVED		Reserved.	0x0	RW
[6:5]	SDATA_FMT	00 01 10 11	Serial data format. I <sup>2</sup> S, BCLK delay by 1 Left justified Right justified 24-bit data Right justified 16-bit data	0x0	RW
[4:2]	SAI	000 001 010 011 100 101 110 111	Serial audio interface format. Stereo: I <sup>2</sup> S, LJ, RJ TDM2 TDM4 TDM8 TDM16 Mono PCM Reserved Reserved	0x0	RW
[1:0]	FS	00 01 10 11	Sample rate selection. 8 kHz to 12 kHz 16 kHz to 24 kHz 32 kHz to 48 kHz Reserved	0x2	RW

**SERIAL AUDIO INTERFACE CONTROL REGISTER**

Address: 0x03, Reset: 0x00, Name: SAI\_FMT2

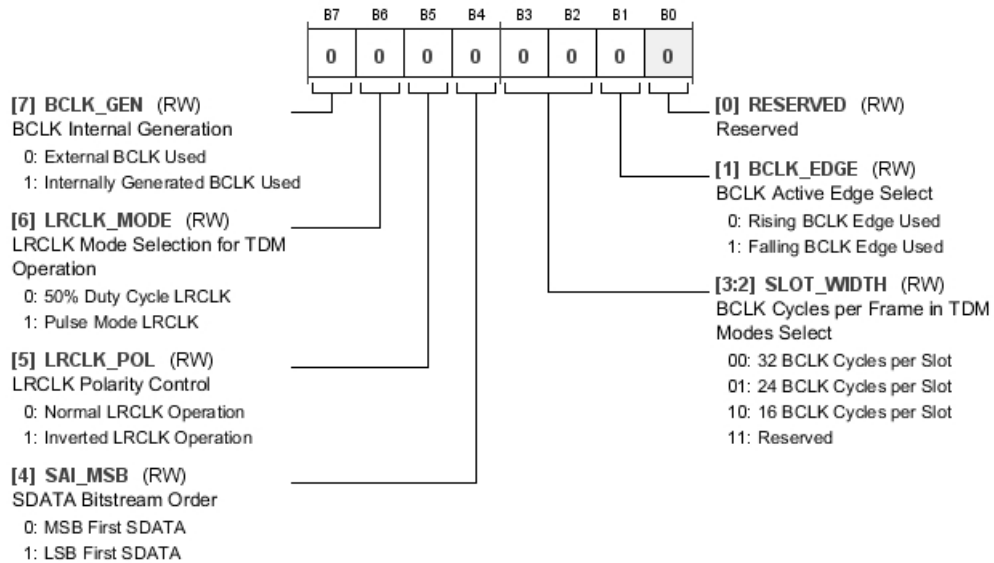


Table 19. Bit Descriptions for SAI\_FMT2

Bits	Bit Name	Settings	Description	Reset	Access
7	BCLK_GEN	0 1	BCLK internal generation. When BCLK_GEN is enabled, an internally generated BCLK is used. Therefore, routing the BCLK signal to the pin is not required. 0 External BCLK used 1 Internally generated BCLK used	0x0	RW
6	LRCLK_MODE	0 1	LRCLK mode selection for TDM operation. 0 50% duty cycle LRCLK 1 Pulse mode LRCLK	0x0	RW
5	LRCLK_POL	0 1	LRCLK polarity control. 0 Normal LRCLK operation 1 Inverted LRCLK operation	0x0	RW
4	SAI_MSB	0 1	SDATA bit stream order. 0 MSB first SDATA 1 LSB first SDATA	0x0	RW
[3:2]	SLOT_WIDTH	00 01 10 11	BCLK cycles per frame in TDM modes select. 00 32 BCLK cycles per slot 01 24 BCLK cycles per slot 10 16 BCLK cycles per slot 11 Reserved	0x0	RW
1	BCLK_EDGE	0 1	BCLK active edge select. 0 Rising BCLK edge used 1 Falling BCLK edge used	0x0	RW
0	RESERVED		Reserved.	0x0	RW

**CHANNEL MAPPING CONTROL REGISTER**

Address: 0x04, Reset: 0x00, Name: CH\_SEL

Note that not all the settings of CH\_SEL are available in all serial interface modes. For example, in stereo and TDM2 modes, only Setting 0000 (Channel 0) and Setting 0001

(Channel 1) are valid because these modes can only contain two channels. In TDM4, Setting 0000 to Setting 0011 are supported. In TDM8, Setting 0000 to Setting 0111 are supported. In TDM16, Setting 0000 to Setting 1111 are supported.

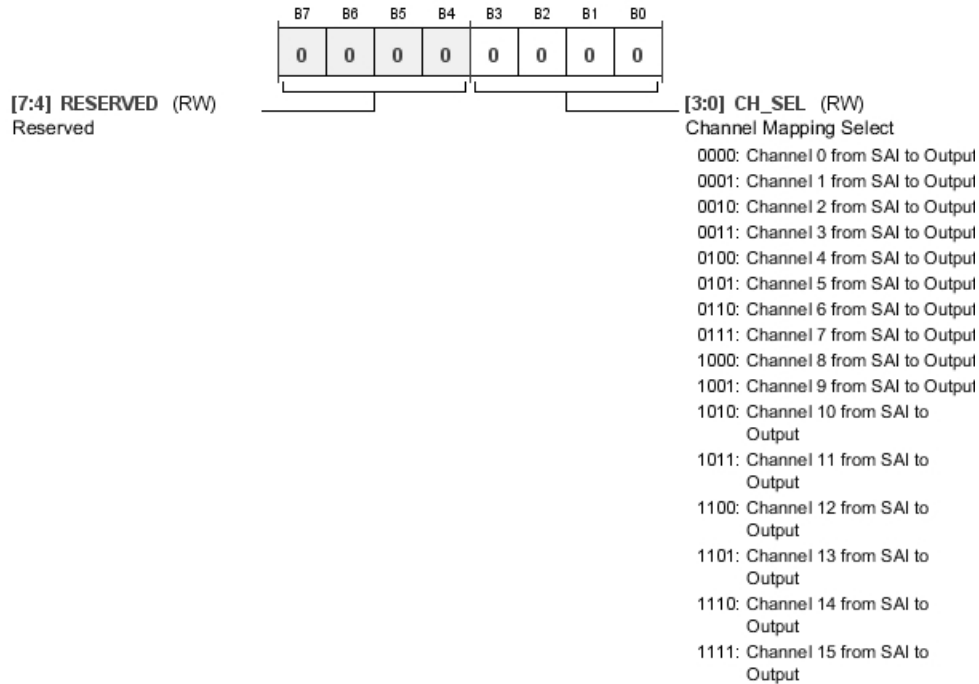


Table 20. Bit Descriptions for CH\_SEL

Bits	Bit Name	Settings	Description	Reset	Access
[7:4]	RESERVED		Reserved.	0x0	RW
[3:0]	CH_SEL	0000 0001 0010 0011 0100 0101 0110 0111 1000 1001 1010 1011 1100 1101 1110 1111	Channel mapping select. Select input SDATA channel to map to left channel output. Channel 0 from SAI to output Channel 1 from SAI to output Channel 2 from SAI to output Channel 3 from SAI to output Channel 4 from SAI to output Channel 5 from SAI to output Channel 6 from SAI to output Channel 7 from SAI to output Channel 8 from SAI to output Channel 9 from SAI to output Channel 10 from SAI to output Channel 11 from SAI to output Channel 12 from SAI to output Channel 13 from SAI to output Channel 14 from SAI to output Channel 15 from SAI to output	0x0	RW



**VOLUME CONTROL REGISTER**

Address: 0x05, Reset: 0x40, Name: VOL\_CTRL

B7	B6	B5	B4	B3	B2	B1	B0
0	1	0	0	0	0	0	0

[7:0] VOL (RW)  
Volume Control  
00000000: +24dB  
00000001: +23.625dB  
00000010: +23.35dB  
00000011: +22.875dB  
00000100: +22.5dB  
00000101: Decreasing in  
0.375dB Steps  
00111111: +0.375dB  
01000000: 0  
01000001: -0.375dB  
01000010: Decreasing in  
0.375dB Steps  
11111101: -70.875dB  
11111110: -71.25dB  
11111111: Mute

Table 21. Bit Descriptions for VOL\_CTRL

Bits	Bit Name	Settings	Description	Reset	Access
[7:0]	VOL		Volume control.	0x40	RW
		00000000	+24 dB		
		00000001	+23.625 dB		
		00000010	+23.35 dB		
		00000011	+22.875 dB		
		00000100	+22.5 dB		
		00000101	Decreasing in 0.375 dB steps		
		00111111	+0.375 dB		
		01000000	0		
		01000001	-0.375 dB		
		01000010	Decreasing in 0.375 dB steps		
		11111101	-70.875 dB		
		11111110	-71.25 dB		
		11111111	Mute		

**GAIN AND MUTE CONTROL REGISTER**

Address: 0x06, Reset: 0x11, Name: GAIN\_CTRL

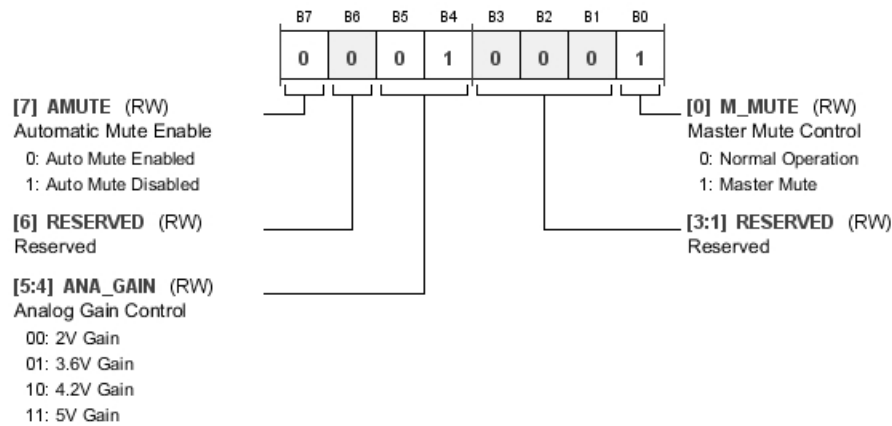


Table 22. Bit Descriptions for GAIN\_CTRL

Bits	Bit Name	Settings	Description	Reset	Access
7	AMUTE	0 1	Automatic mute enable. When the automatic mute function is enabled, after 2048 consecutive zero input samples have been received, the outputs are automatically muted. Automute enabled Automute disabled	0x0	RW
6	RESERVED		Reserved.	0x0	RW
[5:4]	ANA_GAIN	00 01 10 11	Analog gain control. This controls the analog gain of the Class-D modulator. There are two settings optimized for 3.6 V operation from a lithium ion battery and for 5 V operation. 2 V gain 3.6 V gain 4.2 V gain 5 V gain	0x1	RW
[3:1]	RESERVED		Reserved.	0x0	RW
0	M_MUTE	0 1	Master mute control. Setting the master mute control bit soft-mutes both channels. Normal operation Master mute	0x1	RW

**FAULT CONTROL REGISTER**

Address: 0x07, Reset: 0x0C, Name: FAULT\_CTRL1

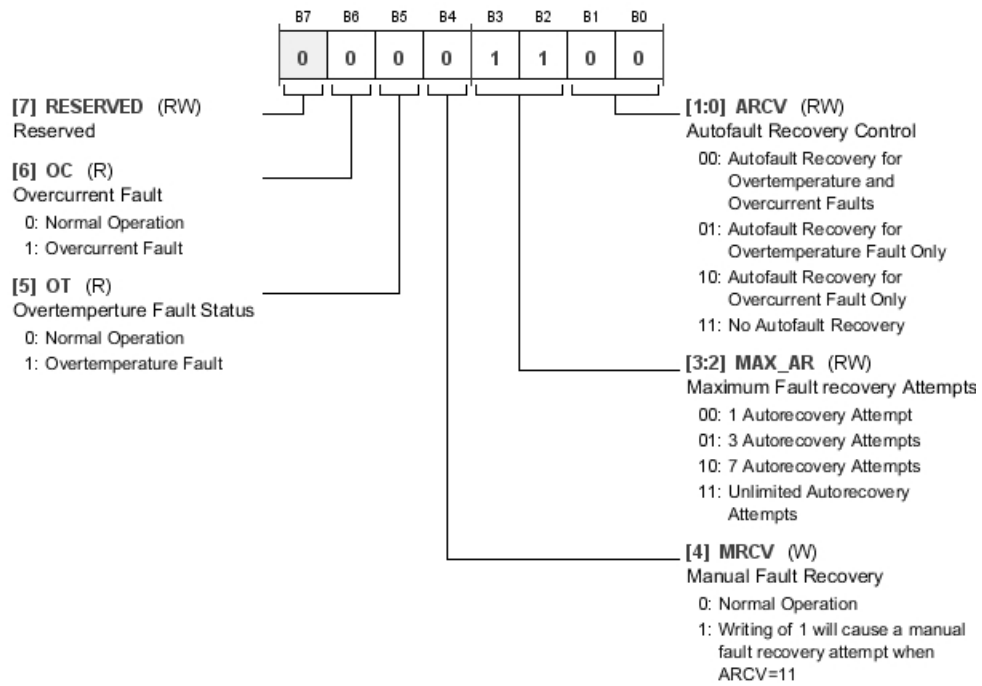


Table 23. Bit Descriptions for FAULT\_CTRL1

Bits	Bit Name	Settings	Description	Reset	Access
7	RESERVED		Reserved.	0x0	RW
6	OC	0 1	Overcurrent fault. Normal operation Overcurrent fault	0x0	R
5	OT	0 1	Overtemperature fault status. Normal operation Overtemperature fault	0x0	R
4	MRCV	0 1	Manual fault recovery. Normal operation Writing Logic 1 causes a manual fault recovery attempt when ARCV = 11	0x0	W
[3:2]	MAX_AR	00 01 10 11	Maximum fault recovery attempts. The maximum automatic fault recovery bit determines how many attempts at autorecovery are performed. One autorecovery attempt Three autorecovery attempts Seven autorecovery attempts Unlimited autorecovery attempts	0x3	RW
[1:0]	ARCV	00 01 10 11	Autofault recovery control. Autofault recovery for overtemperature and overcurrent faults Autofault recovery for overtemperature fault only Autofault recovery for overcurrent fault only No autofault recovery	0x0	RW

## OUTLINE DIMENSIONS

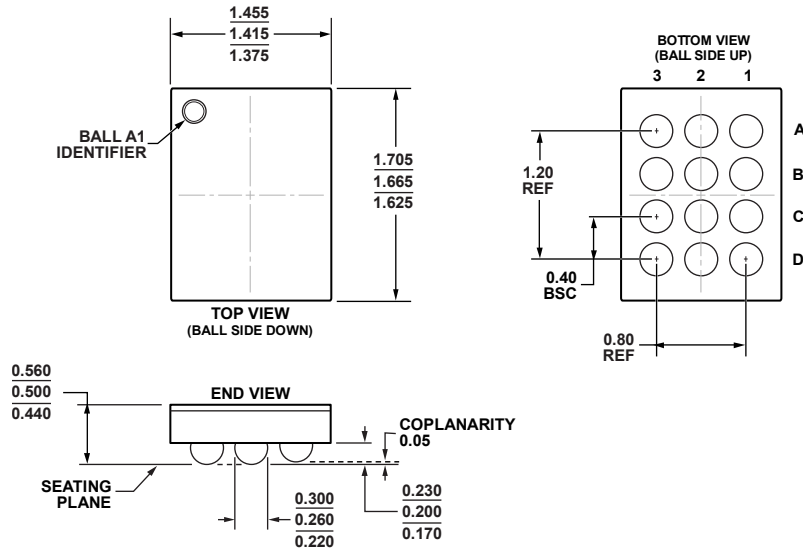


Figure 37. 12-Ball Wafer Level Chip Scale Package [WLCSP]  
(CB-12-6)  
Dimensions shown in millimeters

05-16-2012-A

## ORDERING GUIDE

Model <sup>1</sup>	Temperature Range	Package Description	Package Option	Branding
SSM2519ACBZ-R7	-40°C to +85°C	12-Ball Wafer Level Chip Scale Package [WLCSP]	CB-12-6	Y4B
SSM2519ACBZ-RL	-40°C to +85°C	12-Ball Wafer Level Chip Scale Package [WLCSP]	CB-12-6	Y4B
EVAL-SSM2519Z		Evaluation Board		

<sup>1</sup> Z = RoHS Compliant Part.